



HMP3 General Purpose Humidity and Temperature Probe



Features

- Available with field replaceable HUMICAP® R2 sensor
- RH accuracy up to 0.8 %RH
- Temperature accuracy up to 0.1 °C (0.18 °F)
- Temperature measurement range -40 ... +120 °C (-40 ... +248 °F)
- Compatible with Indigo series of transmitters and Insight PC software

Vaisala HUMICAP® Humidity and Temperature Probe HMP3 is a general purpose probe designed for various industrial processes. The probe structure allows for replacing the sensor without tools making it suitable for applications such as paint booths and other industrial applications where periodic recalibration alone is not sufficient for maintaining the probe performance. Other suitable applications include, for example, industrial HVAC systems, cleanrooms, and environmental chambers.

Designed for Field Maintenance

Probe design allows for several operating environments and flexible field maintenance. Filter and HUMICAP® R2 sensor element are field replaceable for applications which require frequent replacements. Calibration and adjustment of humidity measurement is also needed if the HUMICAP® R2 sensor is replaced. The following filter types are recommended for HMP3:

- Stainless steel mesh filter (12 µm mesh size) for typical applications such as air handling units
- Sintered stainless steel filter for applications where maximal protection from dust ingress is essential

- PPS plastic grid filter for best humidity response time

Chemical Purge Available with Composite Sensors

If purchased with a composite sensor instead of the field replaceable HUMICAP® R2 sensor, HMP3 can use the chemical purge feature. In environments with high concentrations of chemicals and cleaning agents, the chemical purge option helps to maintain measurement accuracy between calibration intervals.

The chemical purge involves heating the sensor to remove harmful chemicals. The function can be initiated manually or programmed to occur at set intervals.

Flexible Connectivity

The probe is compatible with Vaisala Indigo series of transmitters, and it can be used as a standalone digital Modbus RTU transmitter over RS-485 serial bus. For easy-to-use access to field calibration, device analytics, and configuration functionality, the probe can be connected to Vaisala Insight software for Windows®: see www.vaisala.com/insight.

Technical Data

Measurement Performance

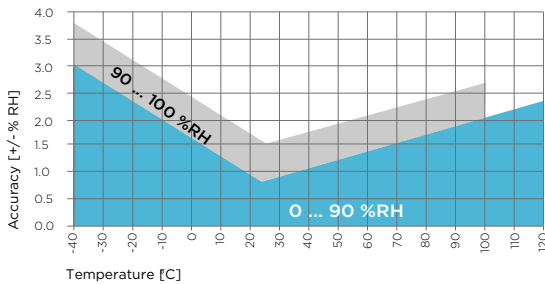
Relative Humidity

Measurement range	0 ... 100 %RH
Accuracy at +23 °C (+73.4 °F) ¹⁾	±0.8 %RH (0 ... 90 %RH)
Factory calibration uncertainty ²⁾	±0.5 %RH (0 ... 40 %RH) ±0.8 %RH (40 ... 95 %RH)
T ₆₃ response time	15 s
Sensor options	HUMICAP® R2 HUMICAP® R2C ³⁾ HUMICAP® 180VC ^{3) 4)}

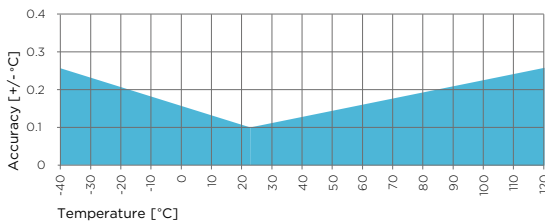
Temperature

Sensor	Pt100 RTD Class F0.1 IEC 60751
Measurement range	-40 ... +120 °C (-40 ... +248 °F)
Accuracy ¹⁾	±0.1 °C (±0.18 °F)
Factory calibration uncertainty ²⁾	±0.1 °C (±0.18 °F) at +23 °C (+73.4 °F)

- 1) Defined against calibration reference. Including non-linearity, hysteresis, and repeatability.
 2) Defined as ±2 standard deviation limits. Small variations possible; see calibration certificate.
 3) Chemical purge feature available with this sensor
 4) H₂O₂ resistant. With HUMICAP® 180VC sensor, accuracy is not specified below -20 °C (-4 °F) operating temperature.



HMP3 Humidity Measurement Accuracy as a Function of Temperature



HMP3 Temperature Measurement Accuracy over Full Range

Inputs and Outputs

Operating voltage	15 ... 30 VDC
Current consumption	10 mA typical, 500 mA max.
Digital output	RS-485, non-isolated
Protocols	Modbus RTU

Output Parameters

Relative humidity, temperature, dew point temperature, dew point temperature difference (T-T_{d/p}), wet-bulb temperature, absolute humidity, mixing ratio, water concentration, water vapor pressure, enthalpy

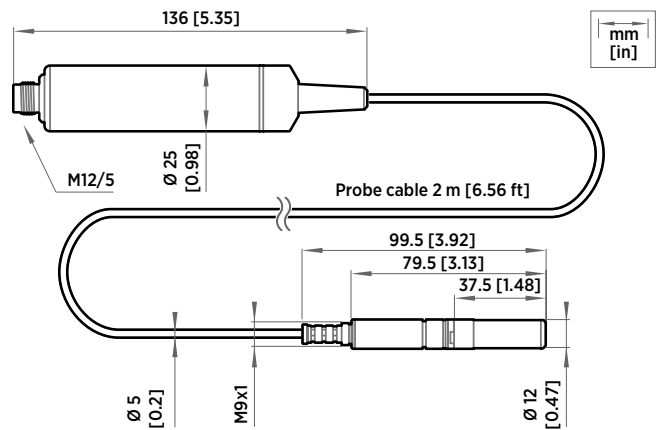
Operating Environment

Operating temperature range for probe head	-40 ... +120 °C (-40 ... +248 °F)
Operating temperature range for probe body	-40 ... +80 °C (-40 ... +176 °F)
Storage temperature range	-40 ... +80 °C (-40 ... +176 °F)
Operating environment	Suitable for outdoor use
Measurement environment	For air, nitrogen, hydrogen, argon, helium, and oxygen ¹⁾
IP rating of probe body	IP66
EMC compliance	EN61326-1, industrial environment

¹⁾ Consult Vaisala if other chemicals are present. Consider safety regulations with flammable gases.

Mechanical Specifications

Connector	M12 5-pin A-coded male
Weight	302 g (10.65 oz)
Materials	
Probe	AISI316L
Probe body	AISI316L
Cable jacket	FEP



HMP3 Probe Dimensions

Accessories

Duct installation kit	210697
Solar radiation shield	DTR502B
USB PC connection cable ¹⁾	242659

¹⁾ Vaisala Insight software for Windows available at www.vaisala.com/insight



www.vaisala.com

Published by Vaisala | B211826EN-A © Vaisala Oyj 2019

All rights reserved. Any logos and/or product names are trademarks of Vaisala or its individual partners. Any reproduction, transfer, distribution or storage of information contained in this document is strictly prohibited. All specifications – technical included – are subject to change without notice.

陕西威瑞仪器仪表有限公司 生产代理销售：实验检测设备 气象科学仪器设备

Tel: 029-88186182 Web: www.xavery.cn Email: sxvery@163.com